

Norwolf Tool Works, Inc.

6 Sullivan Street, Westwood, NJ 07675

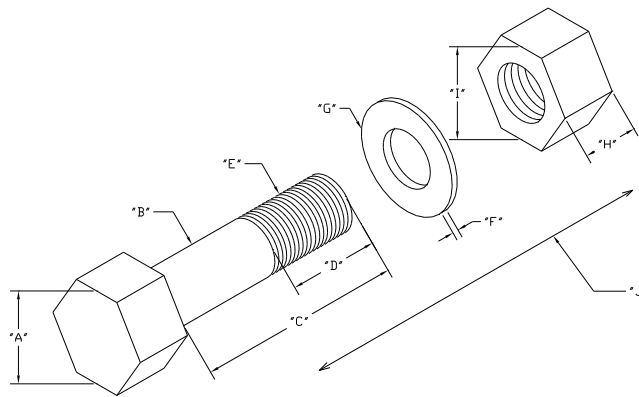
Telephone: (201)666-6655

Fax: (201)666-7611

www.norwolf.com



FASTENER ASSEMBLY DATA



| ITEM | DESCRIPTION | DIMENSION / NOTES |
|------|-----------------------------|-------------------|
| A | BOLT HEX (Flat to Flat) | |
| B | BOLT DIAMETER | |
| C | BOLT LENGTH FROM UNDER HEAD | |
| D | THREAD LENGTH | |
| E | THREAD PITCH | |
| F | WASHER THICKNESS | |
| G | WASHER DIAMETER | |
| H | NUT THICKNESS | |
| I | NUT HEX (Flat to Flat) | |
| J | LOAD REQUIRED | |