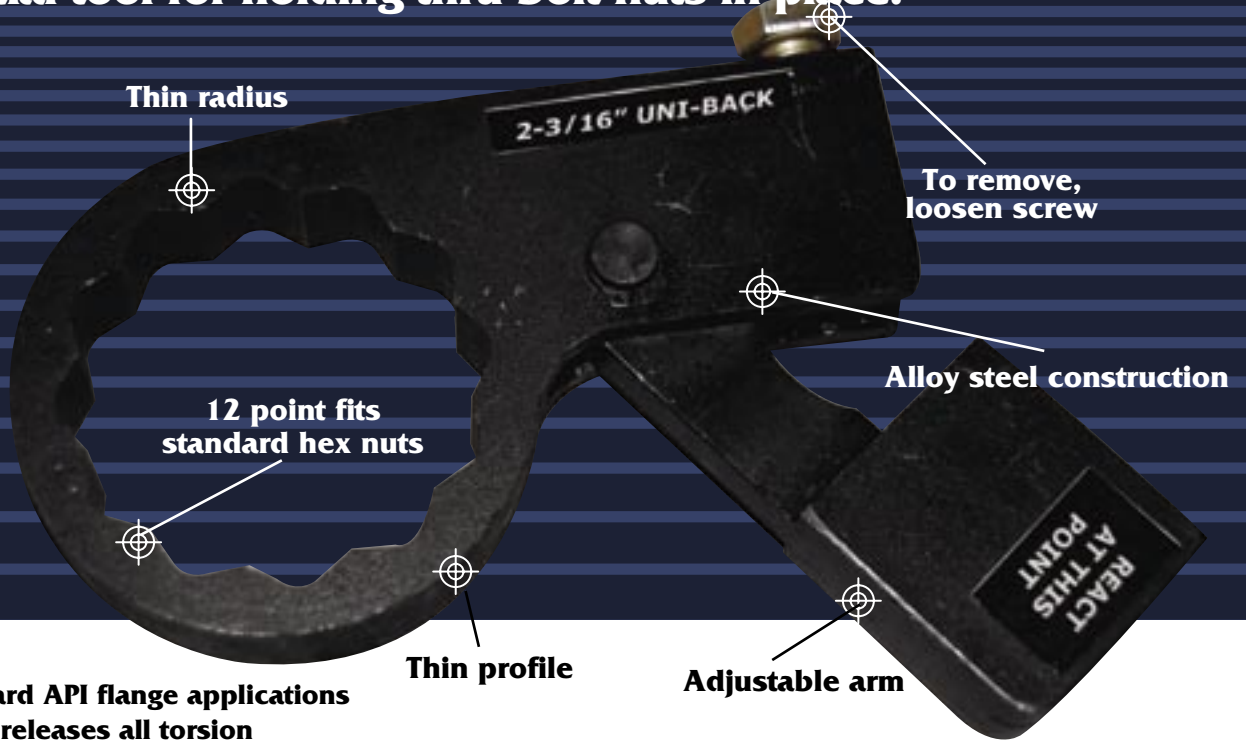


Norwolf Tool Works presents the  
**UNI-BACK™**

U.S. AND INTERNATIONAL PATENTS APPROVED AND PENDING

The essential tool for holding thru bolt nuts in place.

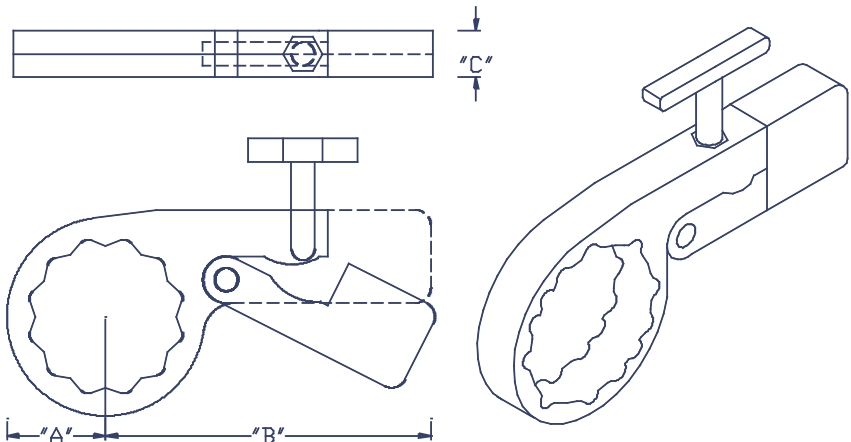


- Fits on all standard API flange applications
- ½ turn of screw releases all torsion
- No more hammering off of knocker wrenches
- Custom configuration available

UNI-BACK					UNI-BACK				
PART NO.	HEX SIZE	"A"	"B"	"C"	PART NO.	HEX SIZE	"A"	"B"	"C"
BK-143	1-7/16"	1.13"	5.25"	.75"	BK-256	2-9/16"	1.88"	7.00"	1.00"
BK-150	1-1/2"	1.17"	5.25"	.75"	BK-275	2-3/4"	1.99"	7.00"	1.00"
BK-156	1-9/16"	1.20"	5.25"	.75"	BK-293	2-15/16"	2.09"	7.00"	1.00"
BK-162	1-5/8"	1.24"	5.25"	.75"	BK-312	3-1/8"	2.20"	7.00"	1.00"
BK-168	1-11/16"	1.27"	5.25"	.75"	BK-350	3-1/2"	2.62"	10.50"	1.50"
BK-175	1-3/4"	1.31"	5.25"	.75"	BK-387	3-7/8"	2.84"	10.50"	1.50"
BK-181	1-13/16"	1.35"	5.25"	.75"	BK-425	4-1/4"	3.05"	10.50"	1.50"
BK-187	1-7/8"	1.38"	5.25"	.75"	BK-462	4-5/8"	3.27"	10.50"	1.50"
BK-193	1-15/16"	1.42"	5.25"	.75"	BK-500	5"	3.69"	14.00"	2.00"
BK-200	2"	1.45"	5.25"	.75"	BK-537	5-3/8"	3.90"	14.00"	2.00"
BK-218	2-3/16"	1.56"	5.25"	.75"	BK-575	5-3/4"	4.12"	14.00"	2.00"
BK-237	2-3/8"	1.67"	5.25"	.75"	BK-612	6-1/8"	4.33"	14.00"	2.00"



**Uniback on standard API flange.**



Norwolf Tool Works presents the

# BACKHOLD™

U.S. AND INTERNATIONAL PATENTS APPROVED AND PENDING

Norwolf Tool Works Backhold for holding back smaller nuts normally between 5/8" and 1-1/2"



Backhold™ with Torque Link



Standard 1/2" Drive Socket



Standard 1/2" Drive Crowfoot (open)



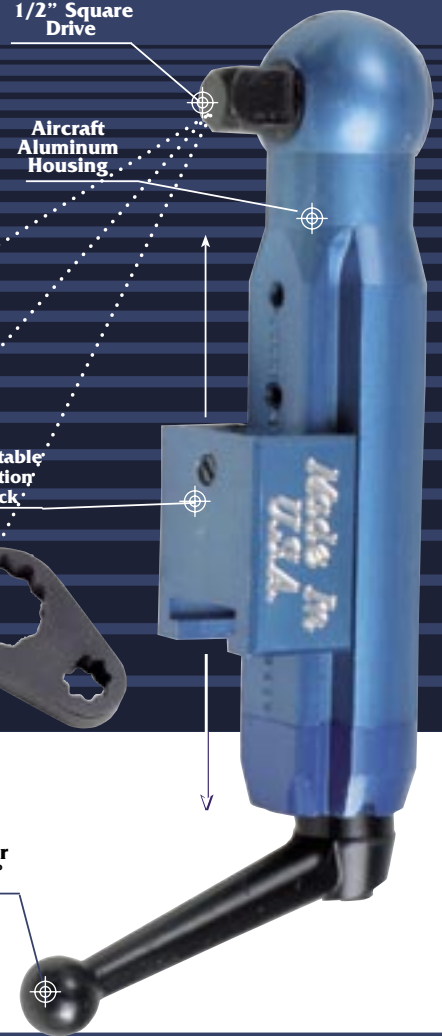
Norwolf Torque Link

Adjustable Reaction Block

1/2" Square Drive

Aircraft Aluminum Housing

Release Lever Adjusts 360°



For heavy use, we recommend Norwolf Torque Links

TOOL DESCRIPTION	PART NO.
Backhold 1/2" Drive	HB-001-0
TOOL DESCRIPTION	PART NO.
Backhold Set with 15 Impact Sockets 5/8"-1 1/2" x 1/16"	HB-SS-0
TOOL DESCRIPTION	PART NO.
Backhold Master Set with 15 Impact Sockets and 15 Norwolf Torque Links 3/4"-1 5/8" x 1/16"	HB-SMS-0

## Specialty Sockets & Drives

Norwolf Tool Works manufactures custom sockets and drives in an expedited time frame to suit your requirements. Some are shown below for quick reference.



12 point to 6 point insert

Custom 12 point socket

Custom aircraft aluminum impact socket.

Square Reducer

Custom reaction arm

Box Socket